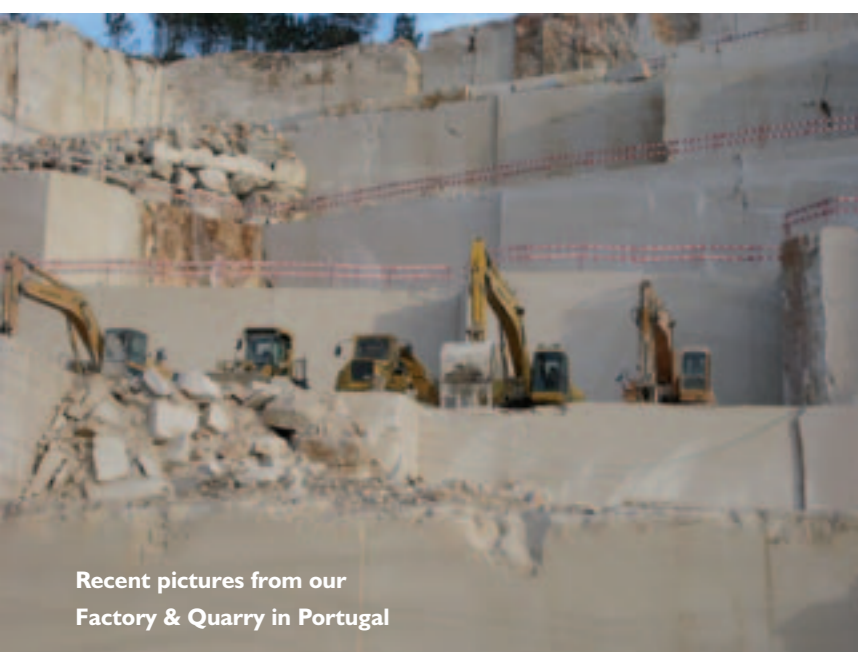




Designer collection  
*Natural Portuguese Limestone*



Recent pictures from our  
Factory & Quarry in Portugal

## Welcome to the Designer collection Natural Portuguese Limestone



Thank you for showing an interest in our natural Portuguese limestone collection. As you browse through this catalogue you will find a very comprehensive range with 32 models being shown, many being offered in various sizes. There are styles to suit almost any room from traditional to contemporary, including our award winning designs. Our fireplaces are manufactured in our Portuguese workshops to the highest standard using only the best available materials with each stage of manufacture being monitored with our own strict quality control system.

Please note our attention to detail as each piece of stone is carefully selected from the very best available material. Having our own Portuguese manufacturing factory we are able to make alterations to most models shown in this brochure, including mix and match of materials, for example, black honed or polished granite can be used as an alternative to the limestone hearths which are shown to many models. Your chosen fireplace retailer should be able to advise and quote accordingly for any alterations you may desire.

Portuguese limestone is a beautiful natural material offering a fireplace that is truly unique each having its own natural variation in shading and markings. With its neutral colour it is an ideal choice for making decorating and room furnishings simple for now and for the future.

We supply only to fireplace retail specialists within the UK. This has the advantage of viewing some of our products usually within close proximity to where you live. Also the dealer can offer professional advice and surveys for your chosen product giving you total peace of mind, a very important part of any fireplace purchase.

We hope you enjoy this brochure and we are confident that you will agree that our fireplaces would be a true focal point to any room giving class, warmth and lasting beauty which can be admired for many years to come.

### Important:

This brochure is for the sole purpose of displaying the limestone fireplaces, all other items shown in each picture including, stoves, electric fires, down lights, vermiculite panels etc, etc, are not included in any fireplace sale.  
Down lights must not be used with any solid fuel or wood burning appliance.  
If using any solid fuel or wood burning appliance, hearths and back panels must be sectioned to allow for thermal expansion, ask your chosen fireplace retailer for further advice.  
Any description used for each fireplace is in the view of the editor only and must not be used as a factual statement.

## AWARDS

HEARTH & Home  
Exhibition Awards

**Fireplace Product of the Year 2011**  
(Sezimbra HE Fireplace - p66-67)

**Fireplace of the Year 2011**  
(Silvosa Fireplace - p54-55)

**Fireplace Suite of the Year 2011**

## TELEVISION

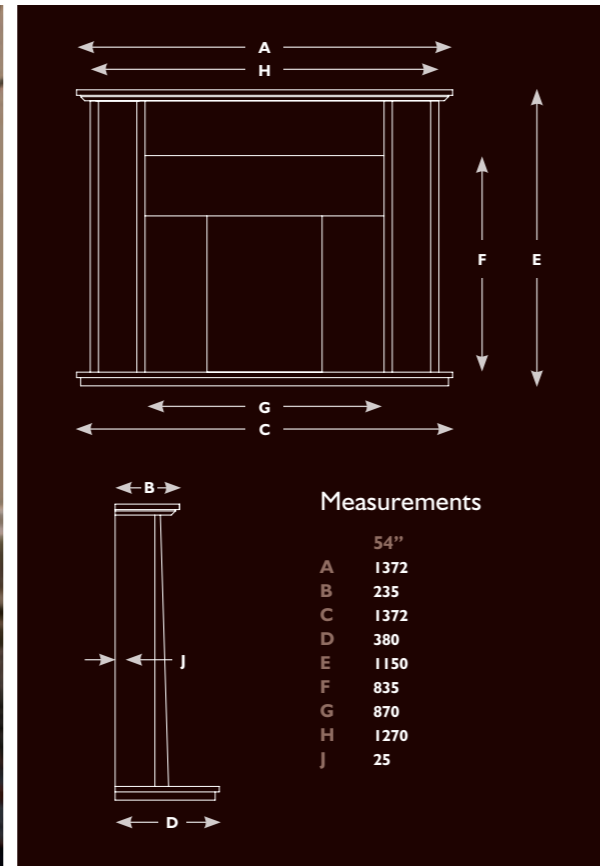
We recently supplied  
a Limestone Fireplace  
for the ITV show  
'60 minute makeover'  
see pictures below.



## Products

- 4-5 Mimosa
- 6-7 Birre
- 8-9 Ribeiro
- 10-11 Alvito
- 12-13 Silver Coast
- 14-15 Borba
- 16-17 Flores
- 18-19 Camacha
- 20-21 Azores
- 22-23 Funchal
- 24-25 Cabo Da Roca
- 26-27 Viana
- 28-29 Peneda
- 30-31 Mirandela
- 32-33 Algarve
- 34-35 Santana
- 36-37 Beja
- 38-39 Safira
- 40-41 Rio
- 42-43 Sol
- 44-45 Palma
- 46-47 Ourem
- 48-49 Palermo
- 50-51 Estralita
- 52-53 Mertola
- 54-55 Silvosa
- 56-57 Avalade
- 58-59 Setubal
- 60-61 Barcelos
- 62-63 Napoli
- 64-65 Portela
- 66-67 Sezimbra HE

# MIMOSA

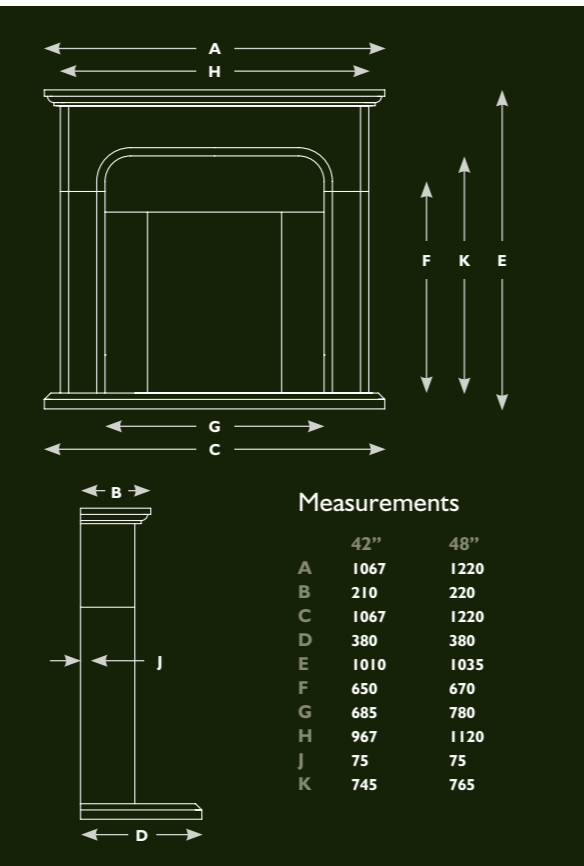


## *The Mimosa Limestone Fireplace*

*The clean crisp lines of the Mimosa with its solid tapered limestone leg fascia will give simplicity and character, all from one design.*

Optional ambient down light kit available for this model.

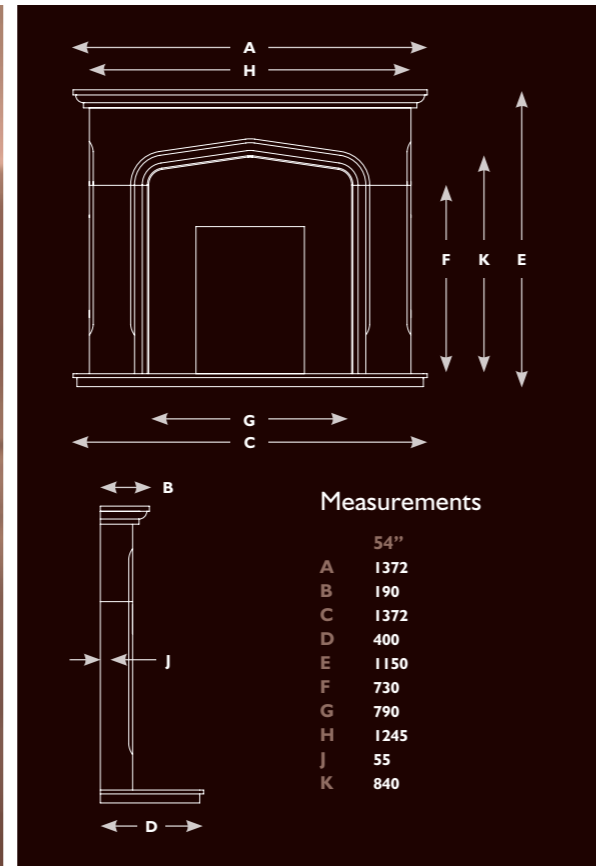
# BIRRE



42" Model shown

“ A compact design with clean lines is sure to impress. Straight lines and gentle curves make it the perfect choice for any room. A smaller design with huge appeal. ”

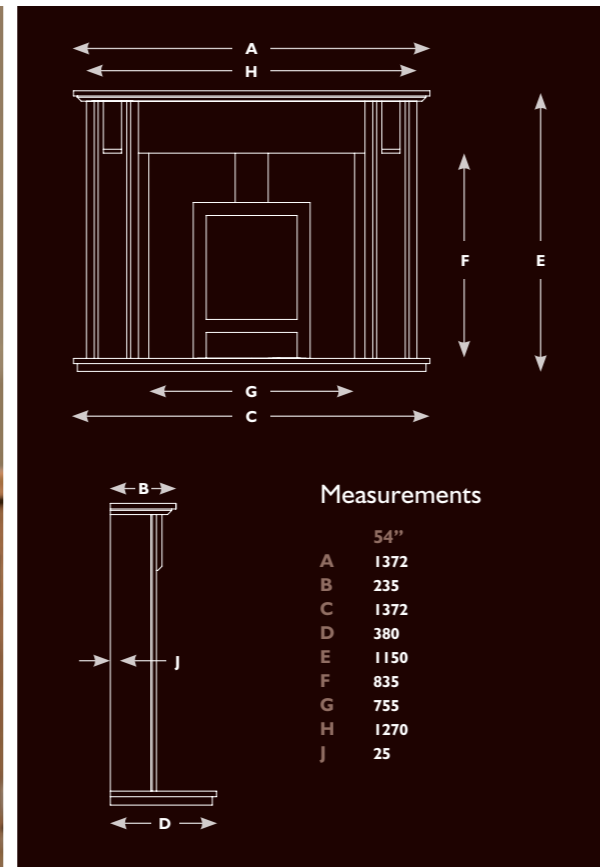
Optional ambient down light kit available for this model.



*The Ribeiro  
Limestone Fireplace*

A wonderful design of a classic. Elegant proportions and fine detailing will make you want to come home and enjoy this masterpiece.





## *The Alvito Limestone Fireplace*

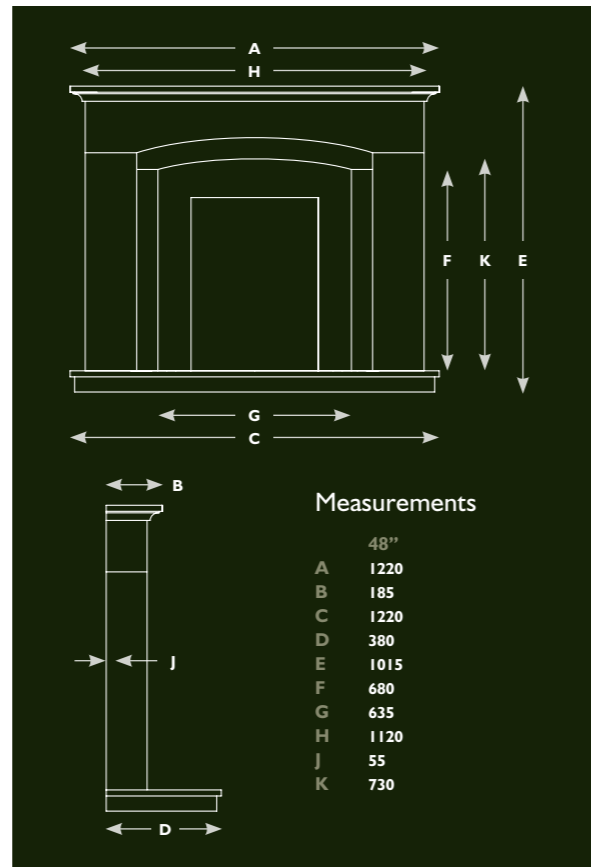
*This stylish fireplace is manufactured from beautiful Portuguese limestone and is shown with an optional stone designed vermiculite chamber, a perfect combination that will bring life to any living space.*

Shown with, Stoven Kensington SE wood burning stove, with integral oven.



Optional ambient down light kit available for this model.  
(Downlights not suitable when solid fuel or wood burning appliances are used).  
Please note: Stone hearth is shown but it is advised that a suitable black granite hearth is used for any wood burning or solid fuel stove, as it will be much easier to maintain with this type of appliance.

# SILVER COAST

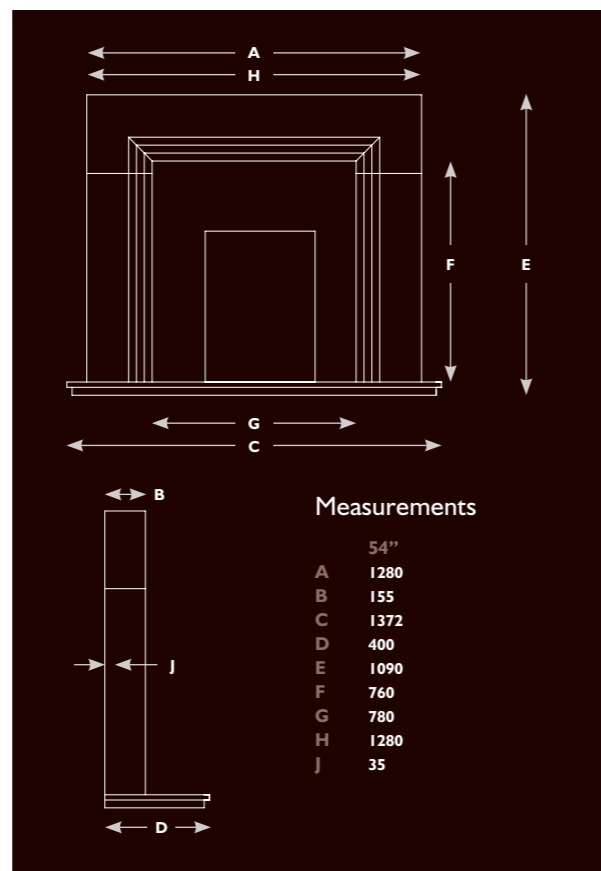


## *The Silver Coast Limestone Fireplace*

Great proportions and the double gentle curving arches give this design real appeal. This versatile and full of charm fireplace will grace any living space.



# BORBA



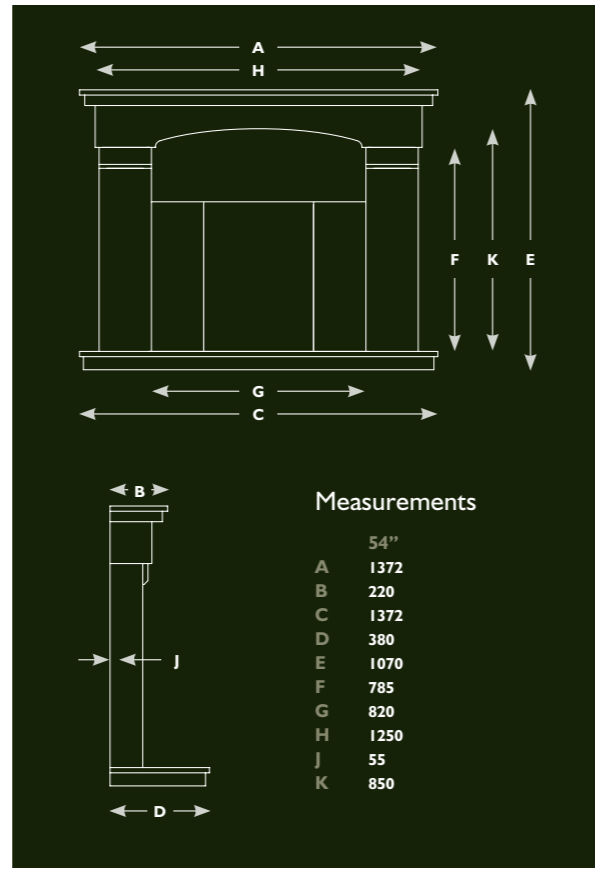
*The Borba  
Limestone Fireplace*

A combination of clean lines and sensational steps creates a design with extreme versatility. The Borba will be centre stage to any living space.





# FLORES



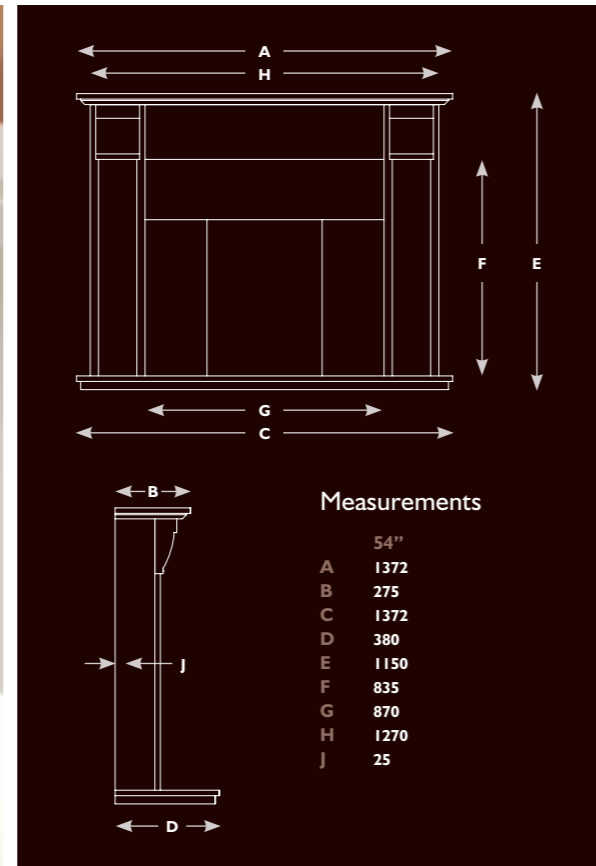
*The Flores  
Limestone Fireplace*

Gentle curves and striking lines behold this wonderful fireplace. A design that will give warmth and beauty to any room.

Optional ambient down light kit available for this model.



# CAMACHA



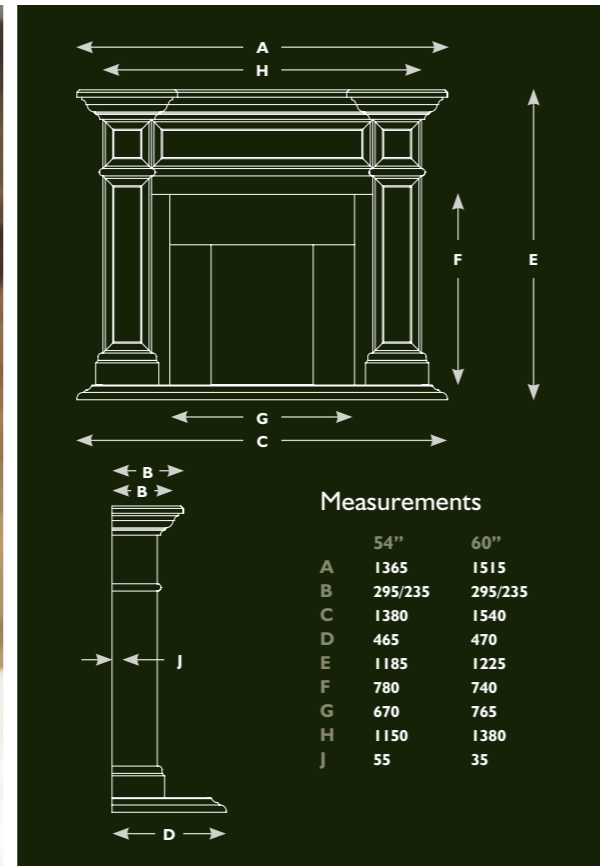
*The Camacha  
Limestone Fireplace*

The Camacha has clean lines and hand crafted solid stone corbels. A striking design that will grace both contemporary and more traditional living spaces.

Optional ambient down light kit available for this model.



# AZORES



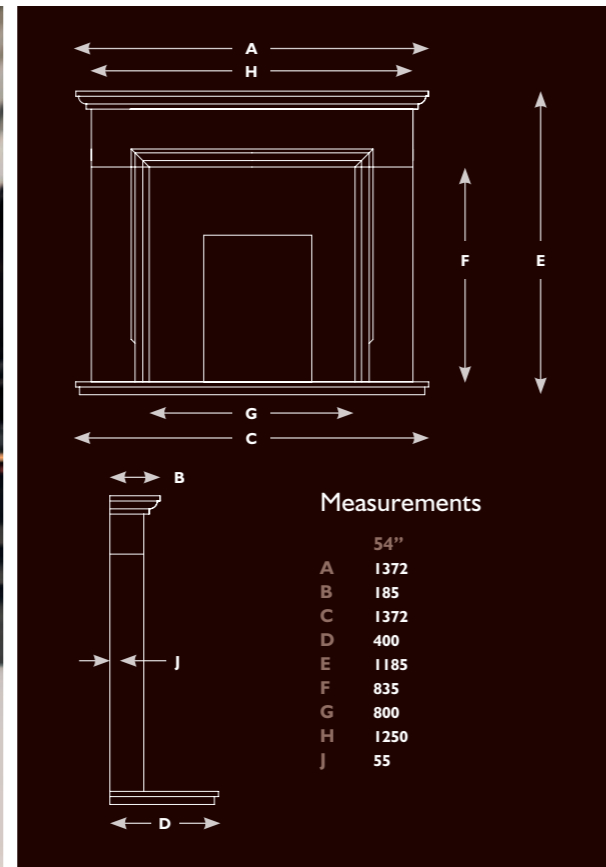
## *The Azores Limestone Fireplace*

*An impressive period styled fireplace, will give grandeur to any room that it graces. A striking design with fine detailing that is sure to impress.*



60" model shown. Please note 54" model has no inner slips as 60"

# FUNCHAL

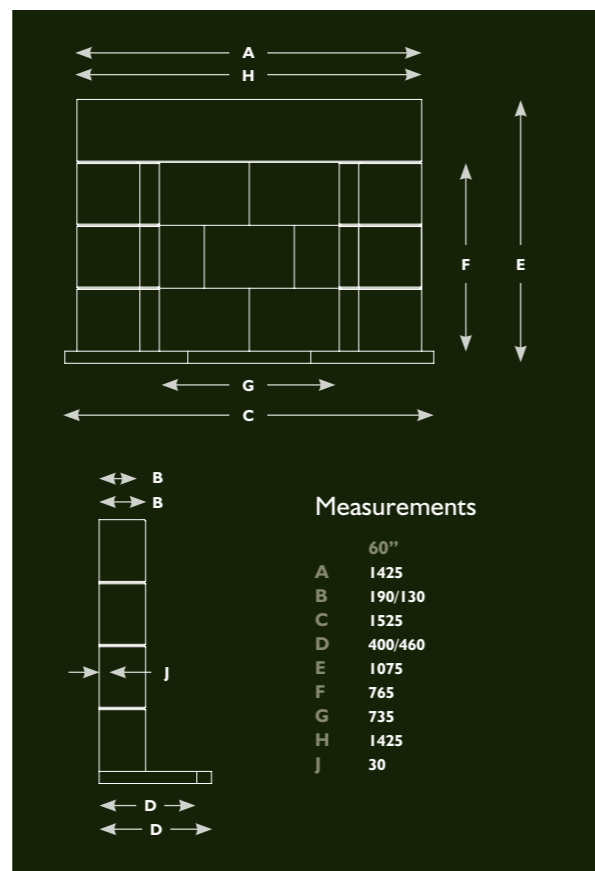


*The Funchal  
Limestone Fireplace*

Sit down and relax in front of this handsome and versatile fireplace, clean lines and tasteful carved moulding make it the perfect choice.



# CABO DA ROCA



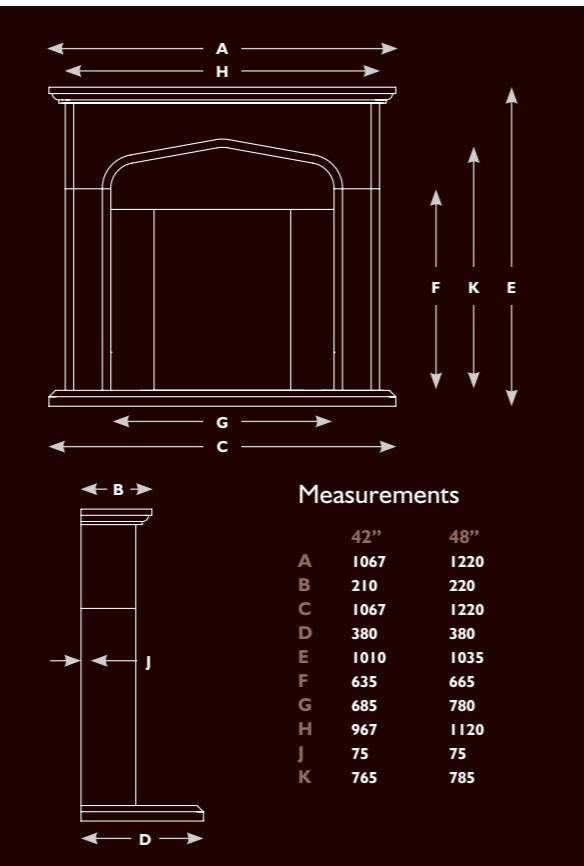
*The Cabo Da Roca  
Limestone Fireplace*

*The Cabo Da Roca is carved from solid stone. This expertly carved fireplace boasts concave curves and bold detailing to the legs. A magnificent focal point to any room.*

Shown with Bela Vista stove. (please see our stove brochure)



# VIANA



## *The Viana Limestone Fireplace*

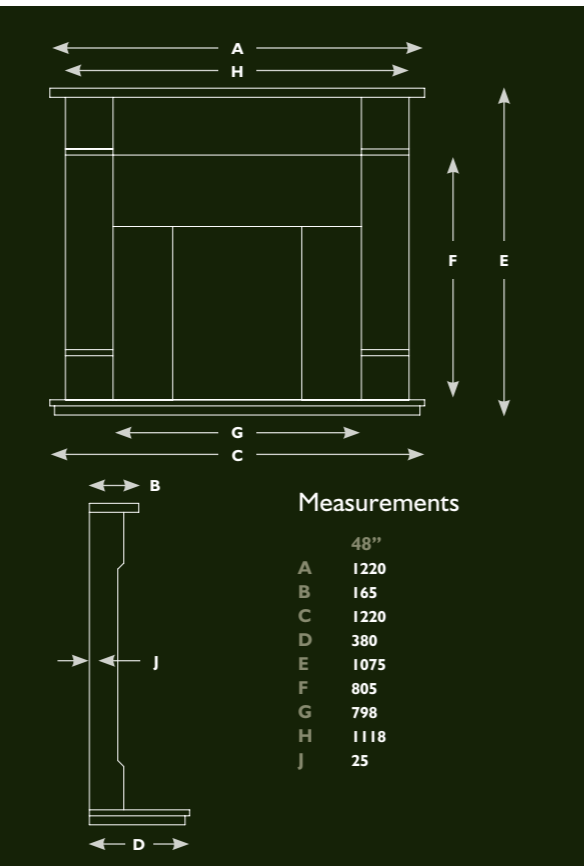
*A compact design based on a traditional design but with a modern feel. All hand finished by gifted stone masons giving a fireplace of real impression.*

Optional ambient down light kit available for this model.



42" Model shown

# PENEDA

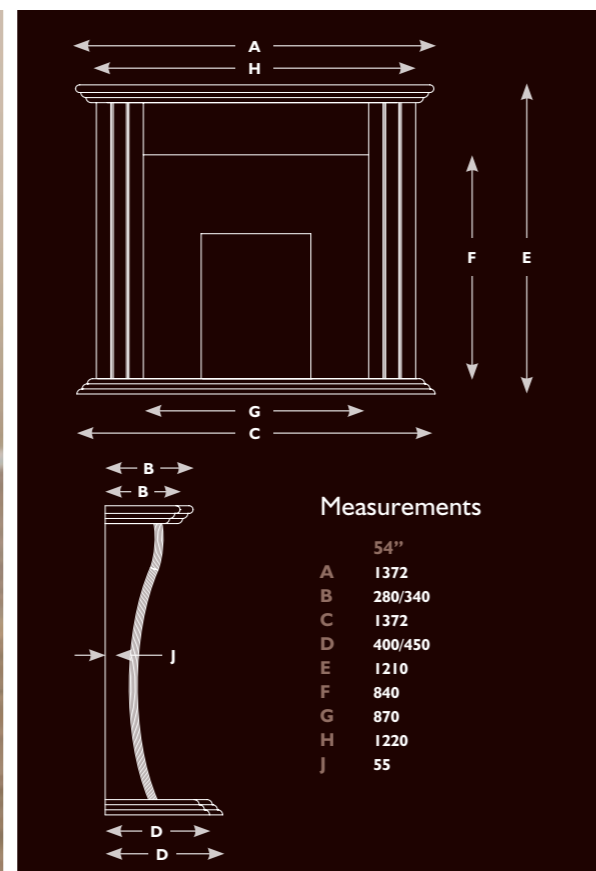


*The Peneda  
Limestone Fireplace*

*Creative simplicity at its very best. The clean lines of this design will create a spectacular fireplace to be enjoyed for many years to come.*



# MIRANDELA



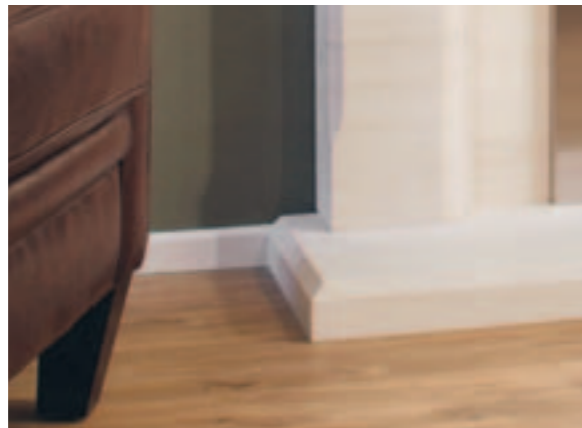
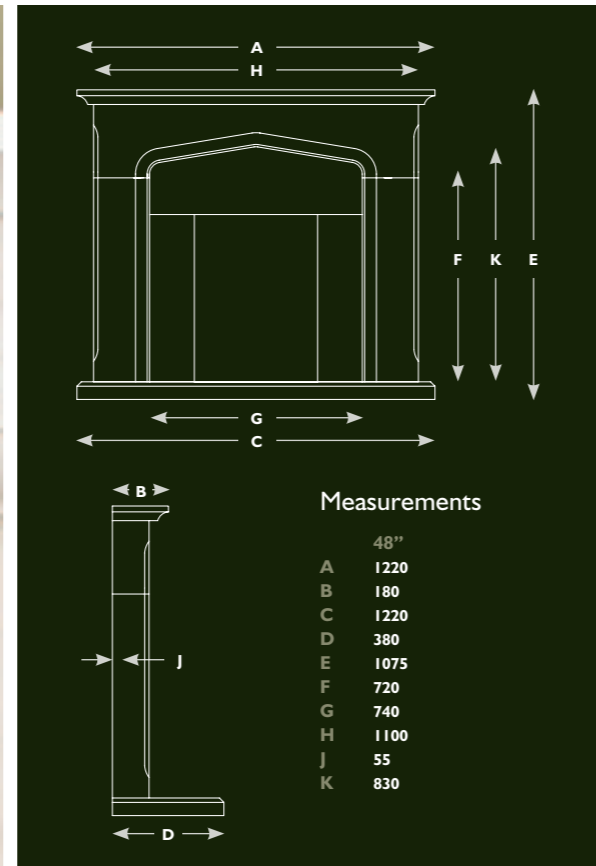
## *The Mirandela Limestone Fireplace*

*The Mirandela is a masterpiece that displays the skill of our master stone masons. An impressive design that will be admired for many years to come.*





# ALGARVE

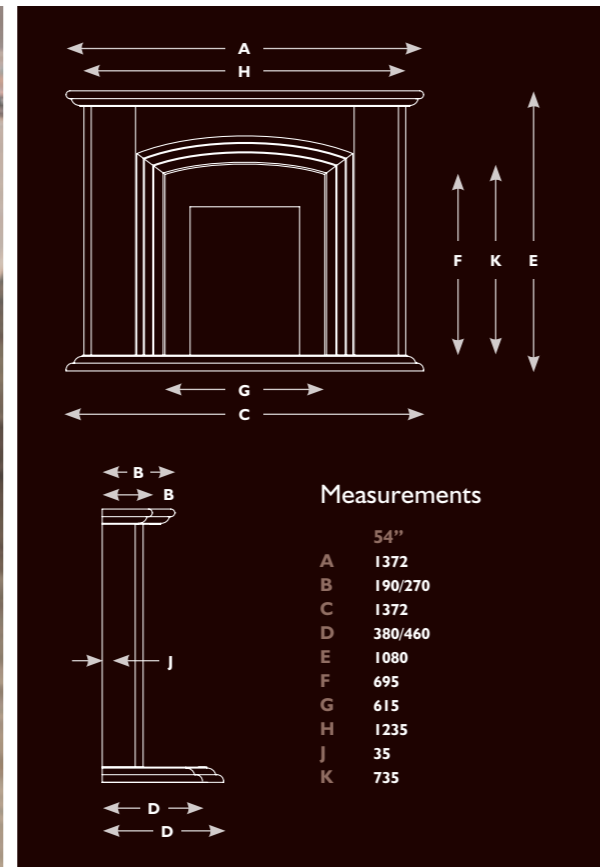


## *The Algarve Limestone Fireplace*

*The Algarve is of classical design with timeless appeal. The Tudor arch design and arch carving detail create a spectacular centre piece with sensational results. Popular in both modern and traditional settings.*



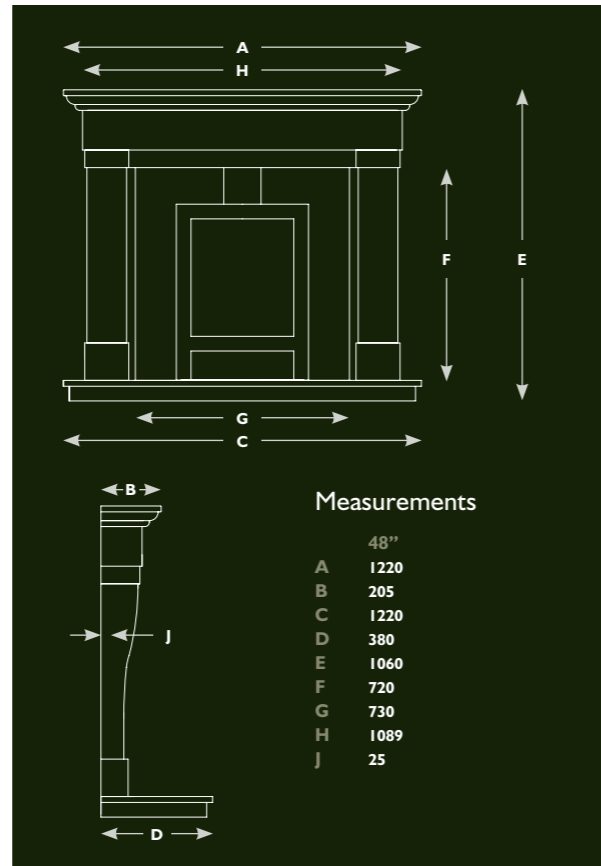
# SANTANA



## *The Santana Limestone Fireplace*

*The Santana is an absolutely stunning fireplace. A masterpiece in design and workmanship. With the flowing curves and wonderful carved mouldings this fireplace will adorn most rooms to give a magnificent feature that is sure to be centre stage.*





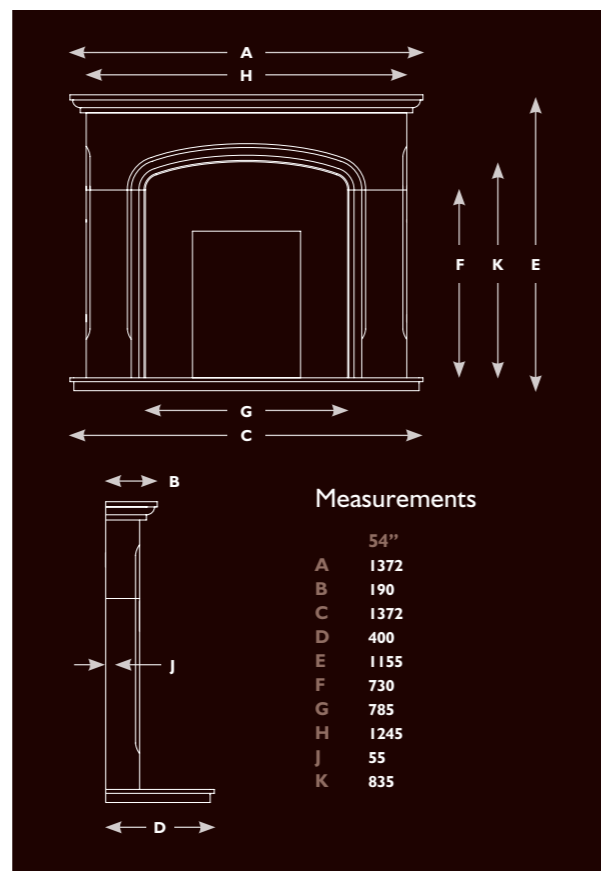
## *The Beja Limestone Fireplace*

*An elegant design of moderate size. Beautifully smooth contoured legs carved from solid stone give this design, style, quality and appeal. Will transform any living space with dramatic results.*

Optional ambient down light kit available for this model.  
(Downlights not suitable when solid fuel or wood burning appliance are used)  
Shown with Bela Vista stove. (please see our stove brochure)



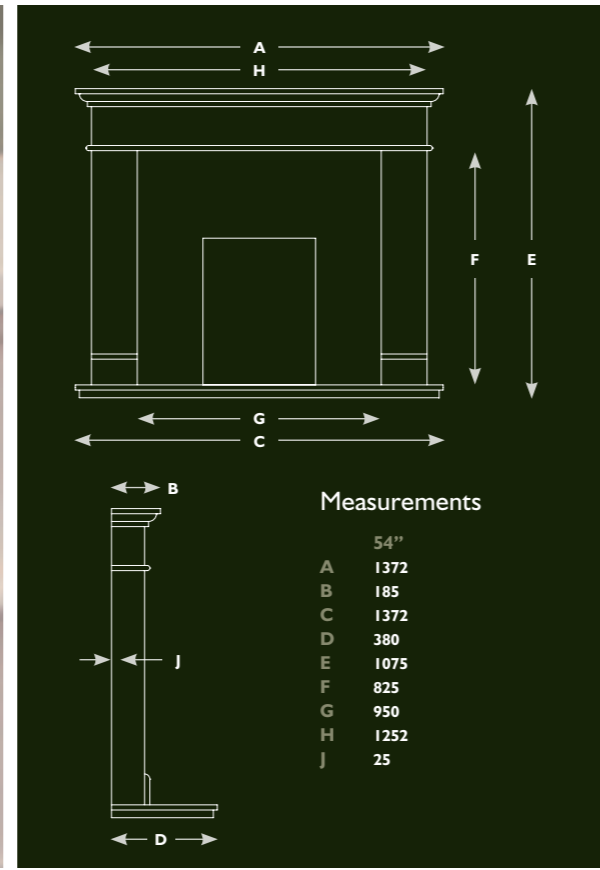
# SAFIRA



*The Safira  
Limestone Fireplace*

Wonderful flowing curves and fine detailing to carved profiles makes this a winning design. Sit down and admire.



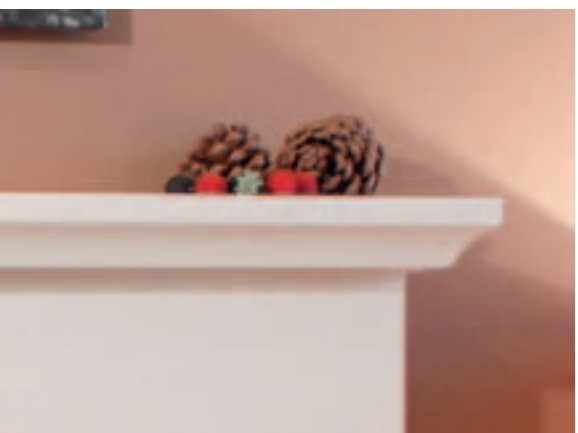
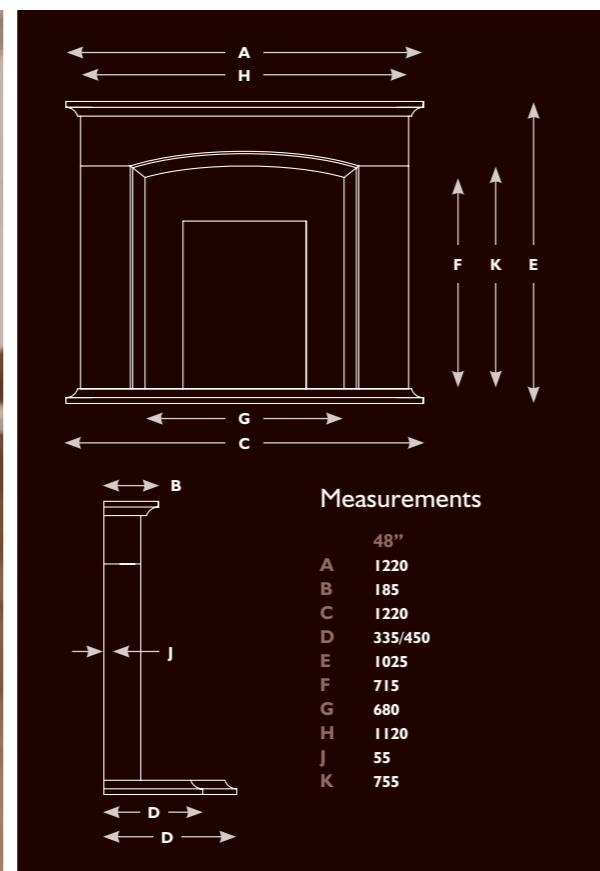


## The Rio Limestone Fireplace

This popular fireplace is sure to impress. Straight lines and beautiful moulding create a simple yet elegant design, and is sure to bring style to any room.

Optional ambient down light kit available for this model.



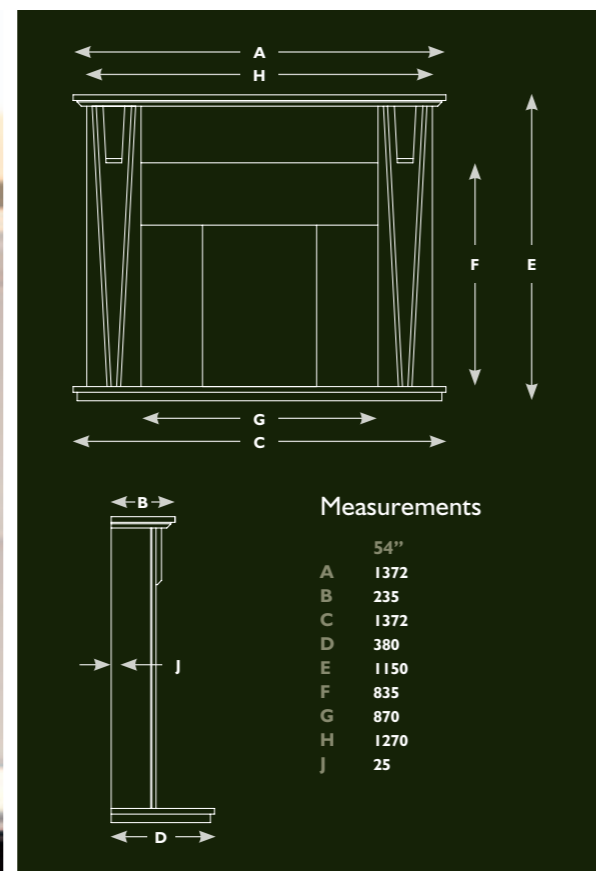


## *The Sol Limestone Fireplace*

Simple clean lines with gentle curved arch and elegant carved matching moulding to the arch, shelf and hearth give this fireplace true style. Will transform any room effortlessly.



# PALMA



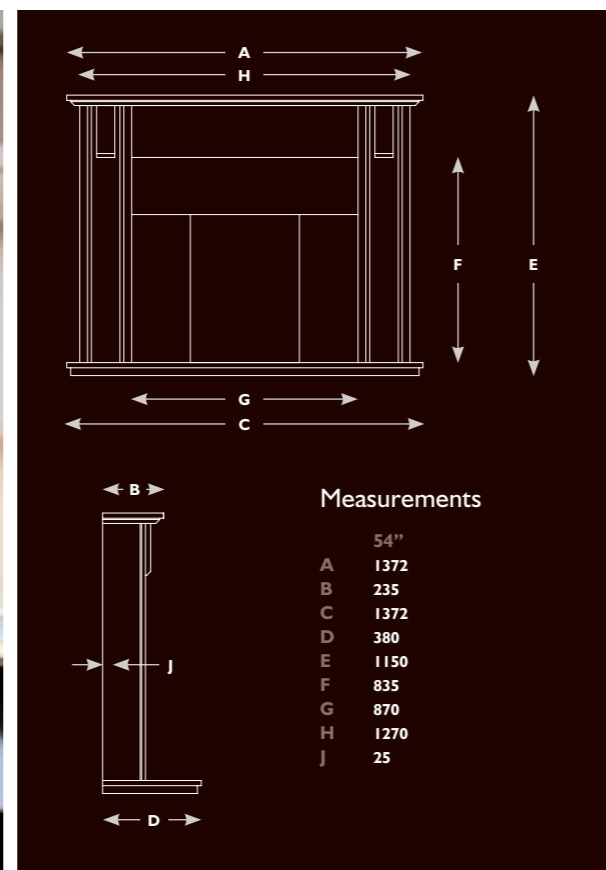
## *The Palma Limestone Fireplace*

*With features of the art deco period, this straight forward design is sure to turn heads. Unique styling and clean lines will be the perfect feature to any room.*

Optional ambient down light kit available for this model.



# OUREM



## *The Ourem Limestone Fireplace*

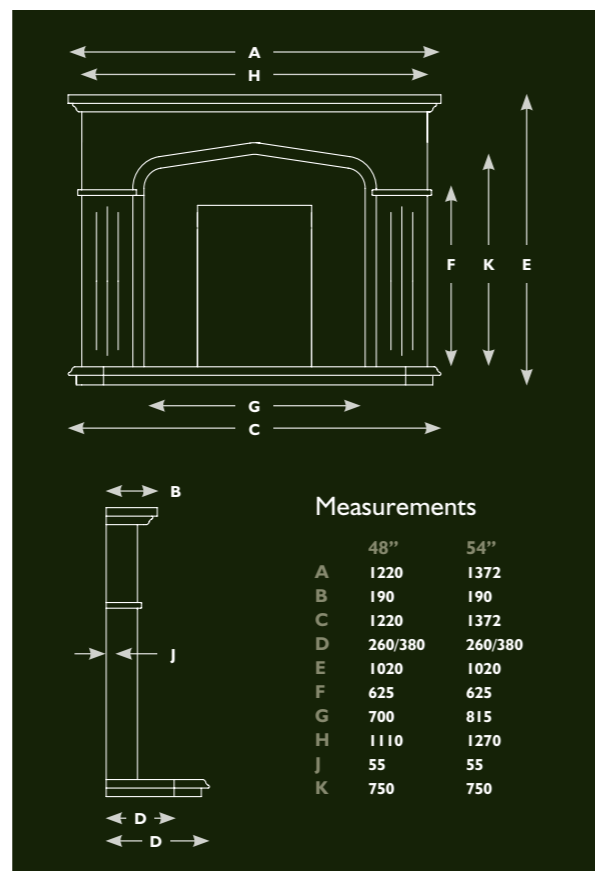
*This design will enhance any living space. With matching carved bevel moulding and straight crisp lines, it is sure to make this fireplace the perfect choice.*

Optional ambient down light kit available for this model.





# PALERMO



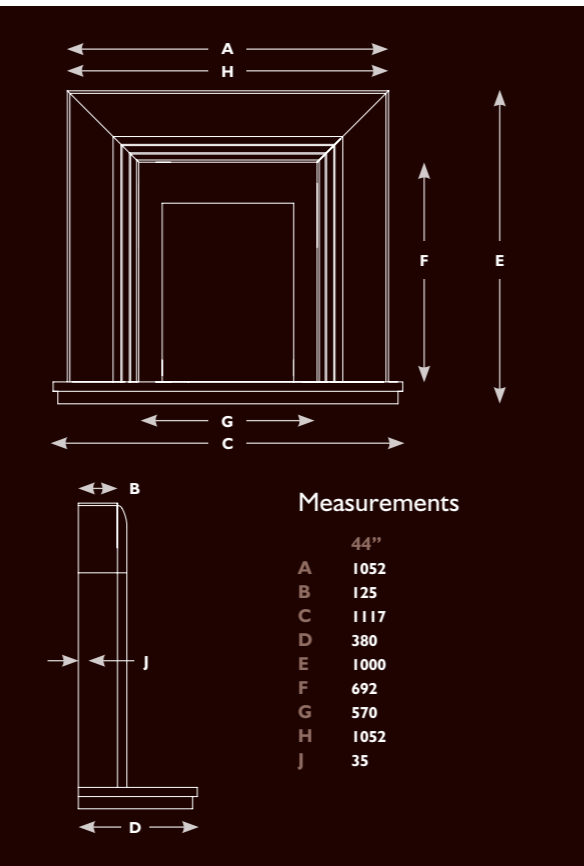
## *The Palermo Limestone Fireplace*

*A traditional design with a modern twist of perfect proportions. The wonderful carved double arch and detailing will be a focal point to any living space. Available with fluted or plain legs.*



54" Model shown

# ESTRALITA

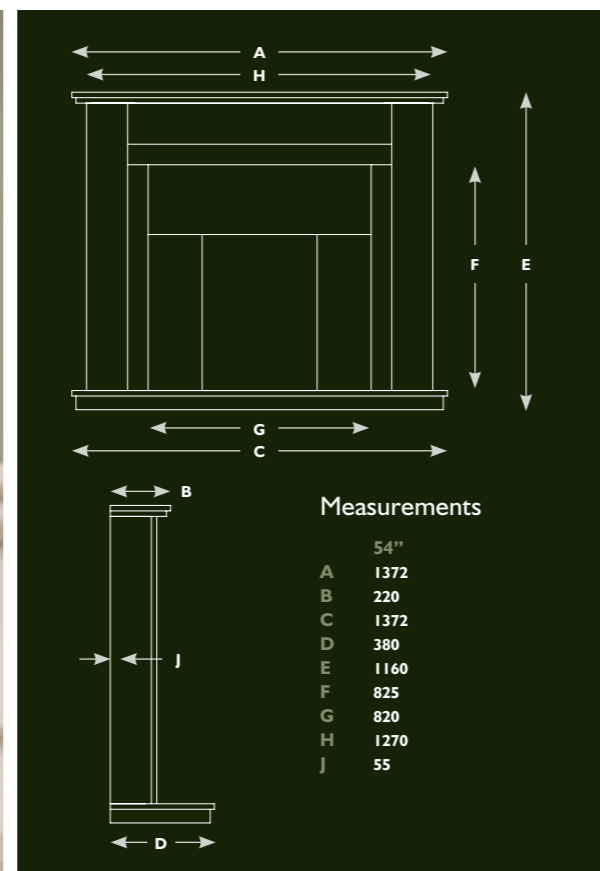


*The Estralita  
Limestone Fireplace*

A little beauty. This compact fireplace is full of character with its elegant carving to moulding, but maintains clean simple lines, so will suit both contemporary and traditional settings.



# MERTOLA



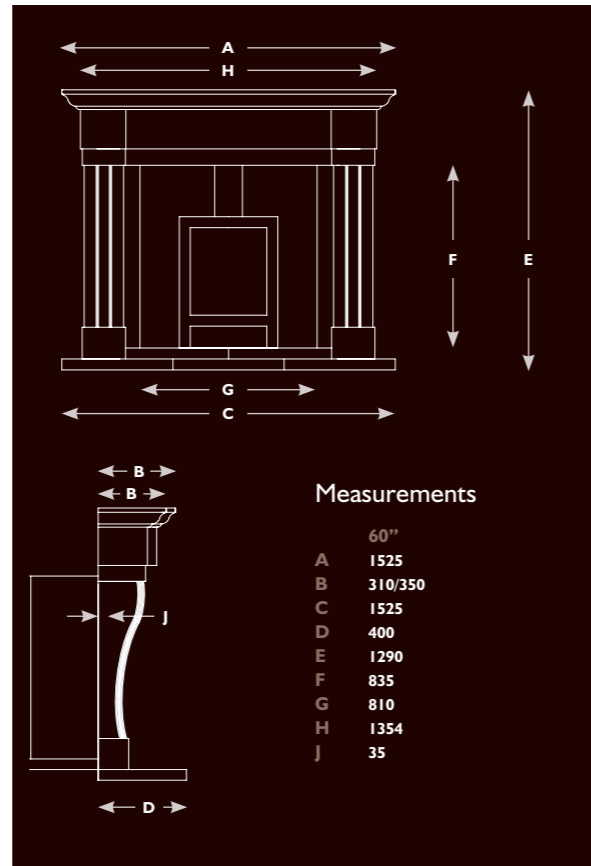
## *The Mertola Limestone Fireplace*

*Impressive contemporary styling together with clean angular lines create a fireplace design of real impact and extreme appeal.*

Optional ambient down light kit available for this model.



# SILVOSA



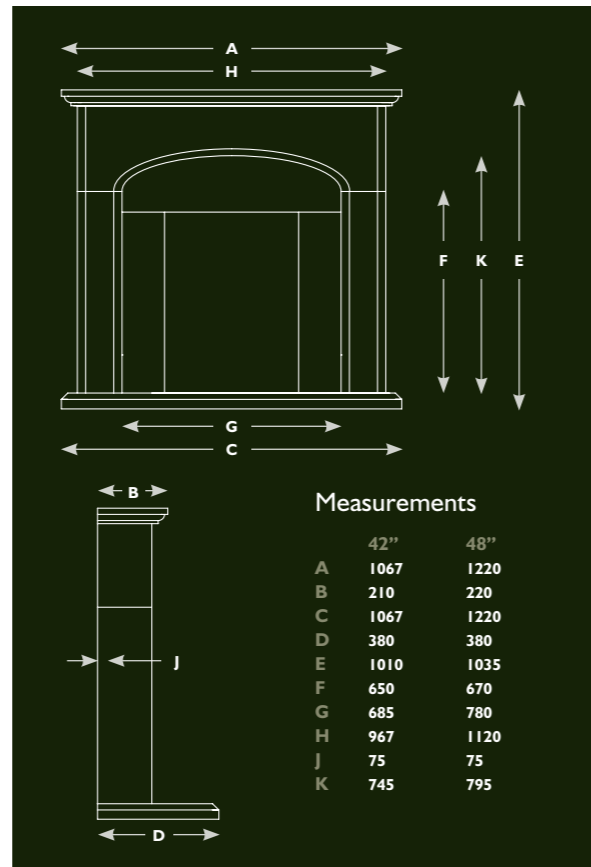
## *The Silvosa Limestone Fireplace*

*The Silvosa must surely be a collectors piece of the future. Fireplace architecture at its very best. This design has solid stone carved shaped and fluted legs together with the curved header and shelf to give a fireplace of impressive proportions. A wonderful centrepiece.*

Optional ambient down light kit available for this model.  
(Downlights not suitable when solid fuel or wood burning appliance are used)  
Shown with Bela Vista stove. (please see our stove brochure)



# AVALADE



## *The Avalade Limestone Fireplace*

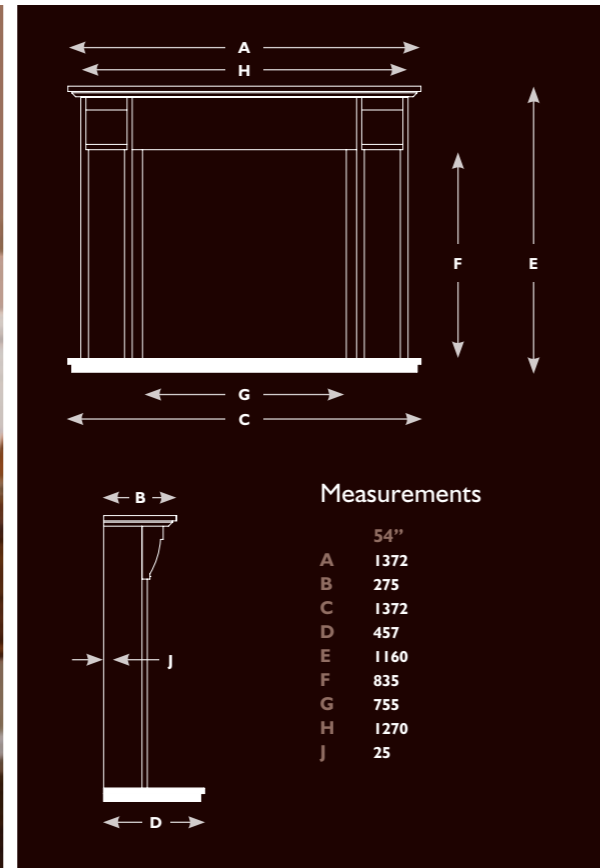
*A wonderful design with straight lines and gentle curves makes this a perfect choice for any room. A moderate sized fireplace with bags of appeal.*

Optional ambient down light kit available for this model.



48" Model shown

# SETUBAL



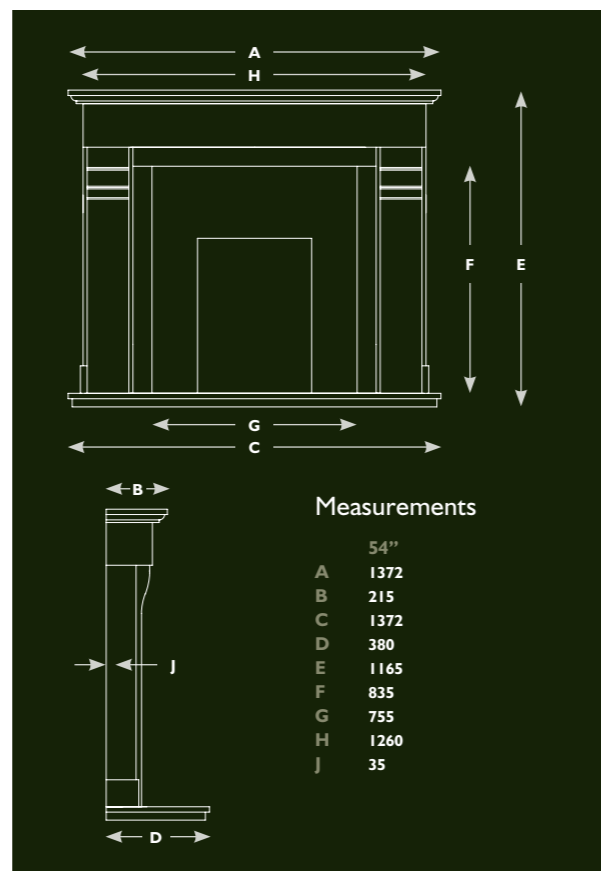
## *The Setubal Limestone Fireplace*

Style and charm are the only words to describe this wonderful fireplace. This versatile Portuguese limestone surround is shown with a honed black granite hearth and optional stone designed vermiculite chamber, a perfect combination that will bring life to any living space.



Shown with Panoramica multi fuel stove.  
Optional ambient down light kit available for this model.  
(Downlights not suitable when solid fuel or wood burning appliances are used).

# BARCELOS



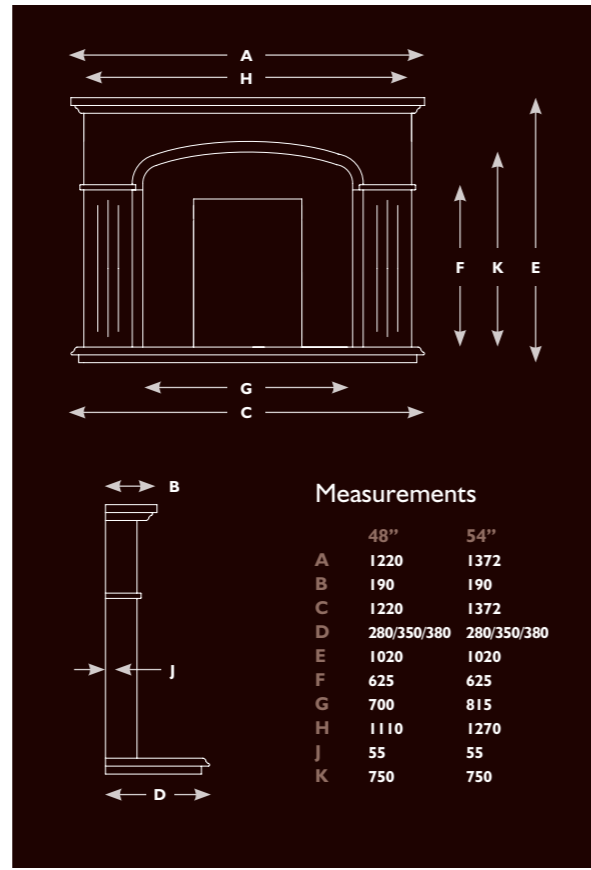
## *The Barcelos Limestone Fireplace*

*A modern version of a more traditional design. The Barcelos boasts gentle curving to the solid stone leg corbels. Perfect for either modern or traditional settings.*

Optional ambient down light kit available for this model.



# NAPOLI



*The Napoli  
Limestone Fireplace*

*Sweeping curves and double carved arch give this design real appeal. You have the option of fluted or plain legs. Will add a perfect feature to any living space.*



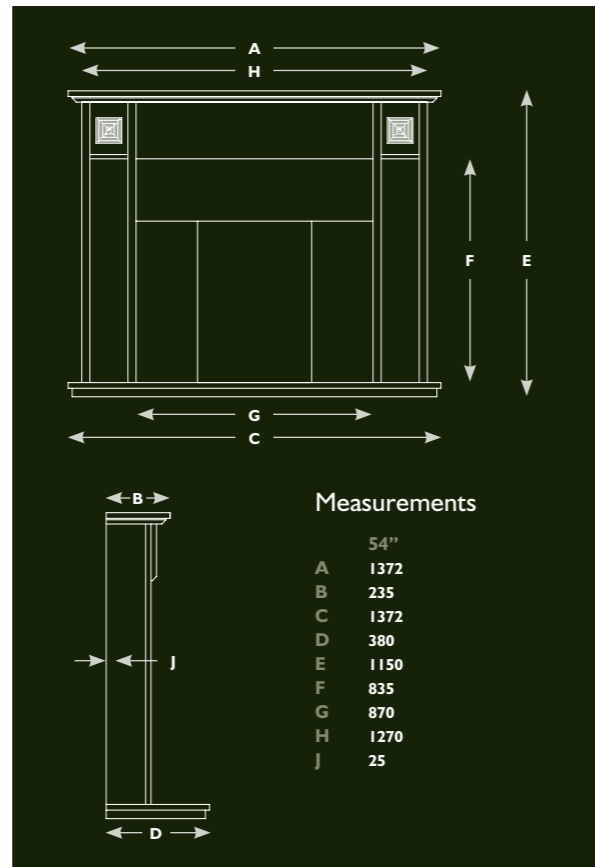
54" Model shown



# PORTELA



Optional mazed carved corbel.



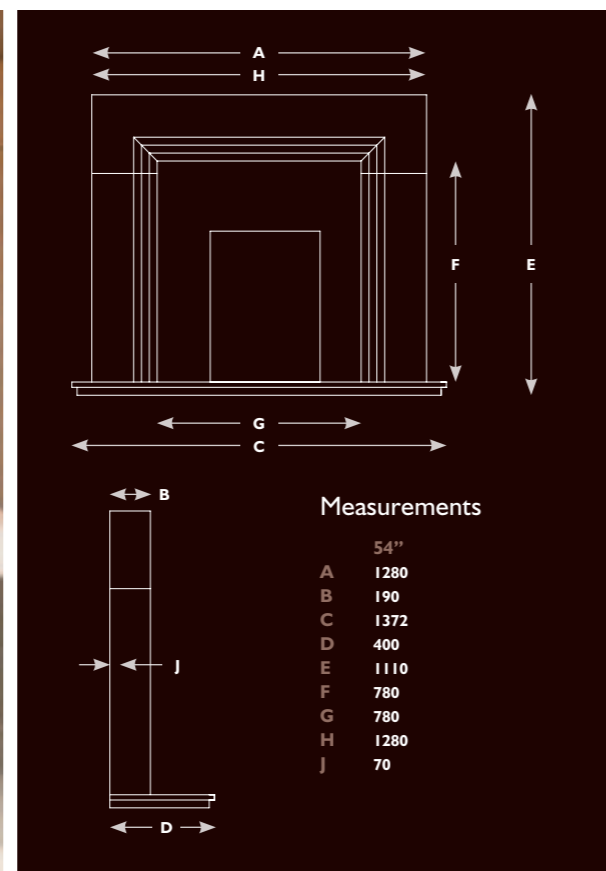
## *The Portela Limestone Fireplace*

*Straight clean lines of the Portela combined with the carved maze corbels. A centrepiece that effortlessly transforms your room.*

Optional ambient down light kit available for this model.



# SEZIMBRA HE



## The Sezimbra HE Limestone Fireplace

A wonderful fireplace with clean lines and modern design create a fireplace of real appeal. Shown with P&J Products High Efficiency 700 gas convector fire. Sit down and relax and enjoy the open living flames together with a natural stone chamber that creates a large fire opening with an amazing 64.5% efficiency.



## PRODUCT GUIDE

All of our stone collection is manufactured from natural Portuguese limestone and as such, natural variation will occur. This will include shading, veining, fossils and crystal markings. This is the beauty of a natural stone product which sets it apart from any mass produced man made counterpart.

Every effort has been made to show correct colour representation, although no guarantees can be given due to the printing process. Customers are advised to view fireplaces and samples at their fireplace dealer.

All of our fireplace range is recommended for most compatible gas fires and electric fires, however some models with hearth and back panel sectioned and slabbed can be used for solid fuel. Ask your fireplace dealer for advice. Newman Fireplaces Ltd Policy is one of continuing improvement, we therefore reserve the right to alter material, design and specification without prior notice. It is strongly recommended that your chosen fireplace dealer surveys your chimney and any relevant items before purchasing any of our products.

It is advised that when the fireplace has fully dried after installation, that all surfaces are sealed with a suitable stone sealer. Ask your fireplace dealer for advice.

All Newman products should be inspected before installation, for quality and damage. No refunds can be given after this event.

All of our products must be installed by suitably qualified, competent and experienced installers complying with all relevant building regulations and any rules in force.



For further information about Nu-Flame gas fires please visit [www.nu-flame.co.uk](http://www.nu-flame.co.uk)

For Flambeau Gas Fires, please contact P&J Products

Furniture supplied by John James Ltd  
521 Southchurch Road, Southend on Sea, Essex SSI 2PH  
Tel: 01702 468686



Dealer Sticker



Issue 21

£4.50



© 2012 Newman Fireplaces Ltd

E&OE

[www.newmanfireplaces.co.uk](http://www.newmanfireplaces.co.uk)



Designer collection